

**FEATURES**

**OMT200C, 1600 Series**

- Very small size, lightweight
- Electromagnetic type
- Wave solderable and washable

**OMT3600, 600, 8600 Series**

- Small size and lightweight
- 400 Hz
- No RF noise
- Wide operating voltage

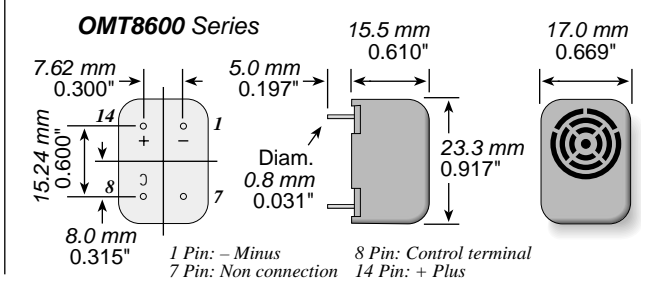
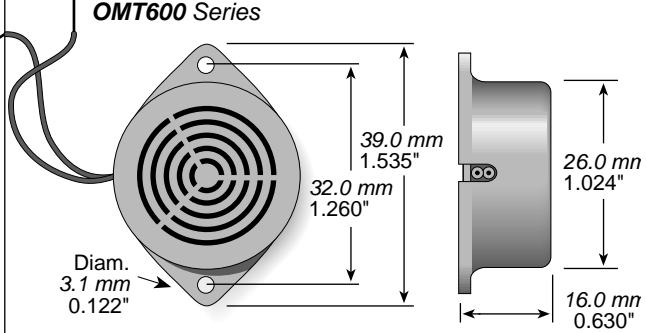
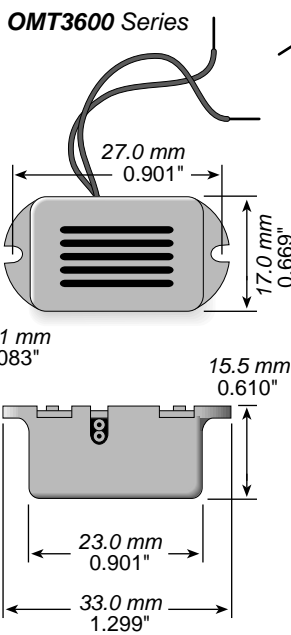
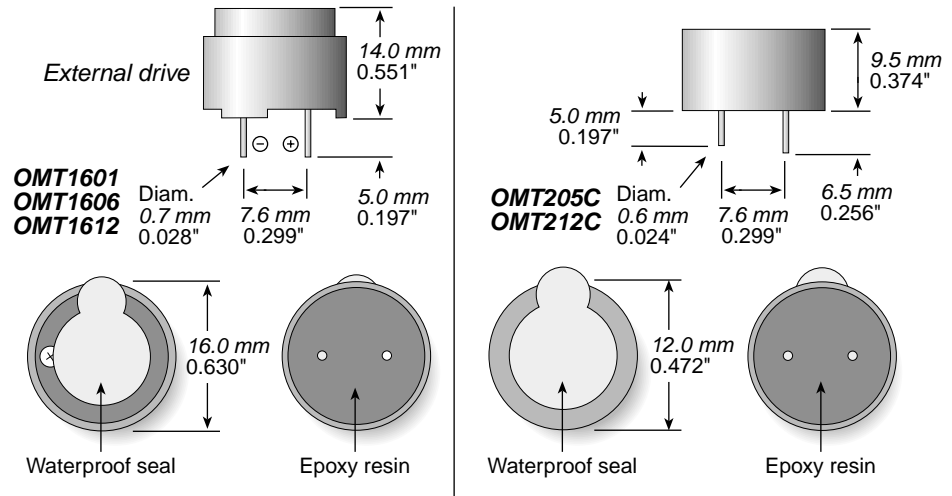
**All**

- Operating temperature -20°C~60°C; Storage temperature -30°C~70°C

This product has been  
**DISCONTINUED**

# Piezo Audio Indicators

## PC Board Mounting Type



Model No.	Oscillating frequency (Hz ±500)	Operating voltage	Rated voltage	Sound pressure @30cm* (dB min.)	Current consumption (mA max.)	Tone	Connection	Weight (g)
✓ OMT205C	2300	4-7 DC	5	85*	35	Continuous	2 Pin	2.0
✓ OMT212C	2300	8-16 DC	12	85*	35	Continuous	2 Pin	2.0
✓ OMT603	400	2-4 DC	3	78	25/ 3vdc	Continuous	Leads	10.0
✓ OMT606	400	4-8 DC	6	79	22/ 6vdc	Continuous	Leads	10.7
✓ OMT612	400	8-16 DC	12	79	50/12vdc	Continuous	Leads	10.7
✓ OMT624	400	20-28 DC	24	79	25/24vdc	Continuous	Leads	10.0
✓ OMT1601	2048	1.1-3 DC	1.5	80*	40	Continuous	2 Pin	5.0
✓ OMT1606	2048	3-8 DC	5	85*	40	Continuous	2 Pin	5.0
✓ OMT1612	2048	6-18 DC	12	85*	40	Continuous	2 Pin	5.0
✓ OMT3603	400	2-4 DC	3	75	50/ 3vdc	Continuous	Leads	9.7
✓ OMT3606	400	4-8 DC	6	75	45/ 6vdc	Continuous	Leads	9.7
✓ OMT3612	400	8-16 DC	12	79	30/12vdc	Continuous	Leads	9.7
✓ OMT3624	400	20-28 DC	24	76	24/24vdc	Continuous	Leads	10.0
✓ OMT8606	400	4-8 DC	6	75	25/12vdc	Continuous	4 Pin	8.5
✓ OMT8612	400	8-16 DC	12	80	22	Continuous	4 Pin	8.5

\*200 and 1600 series sound pressure measured at 10cm.

- ⊕ = Most popular stock values
- ✓ = Stock values
- ⊕ = Non-stock values subject to minimum handling charge per item